



PARTS CATALOG

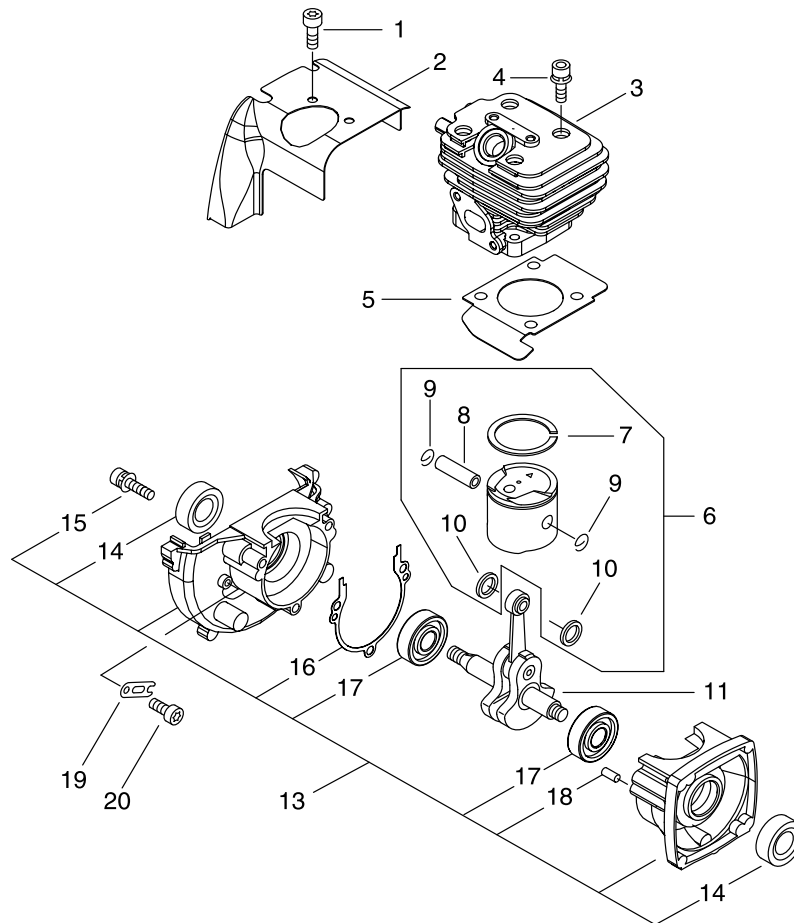
HANDHELD BLOWER PB-250(37)

37001100 -



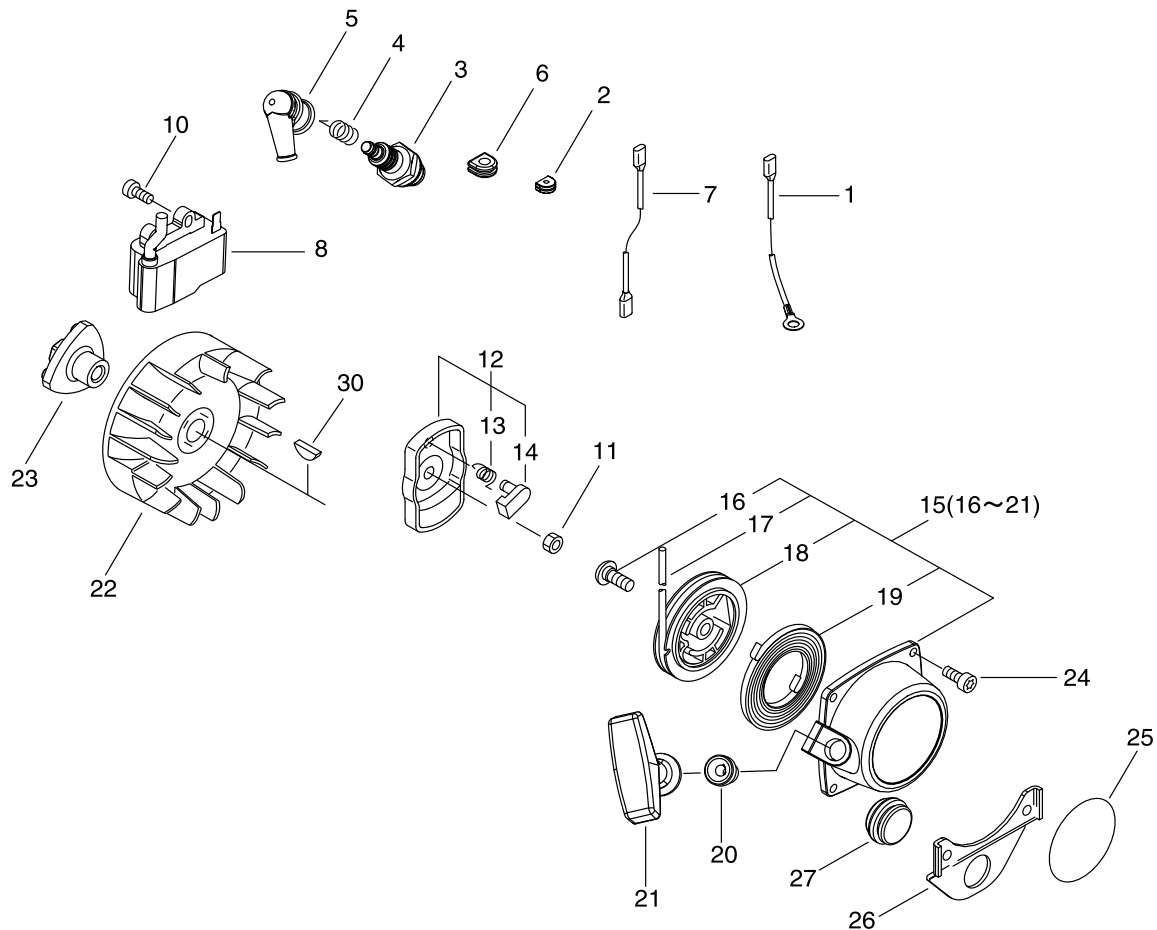
P014-002890-12Jb

1. CYLINDER, CRANKCASE, PISTON



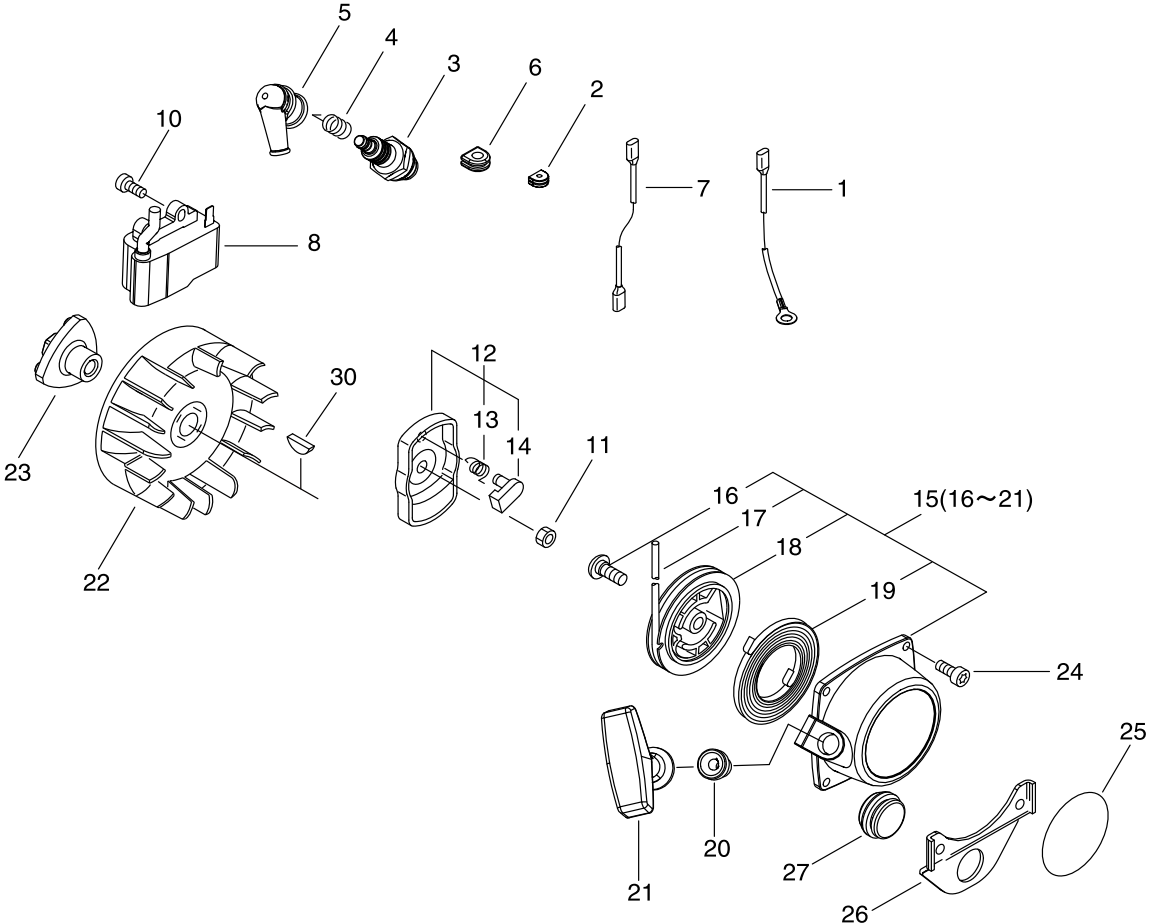
KEY	LV	PART NUMBER	Q'TY	DESCRIPTION	REMARKS	NOTE1	NOTE2
1		V805-000120	2	BOLT, TORX 5	TB-5*8 10.9		
2		A160-001260	1	COVER,CYLINDER			
3		A130-001020	1	CYLINDER			
4		900162-05025	4	BOLT, H.S. 5*25	5*25 W,SW		
5		V100-000190	1	GASKET,CYL			
6		P021-017410	1	PISTON KIT			
7	+	A101-000140	1	RING, PISTON	B1.2 T1.5		
8	+	V606-000000	1	PIN,ENG 8	5*8*28		
9	+	100015-04630	2	CIRCLIP, PISTON PIN			
10	+	100014-11520	2	SPACER, PISTON PIN			
11		A011-000590	1	CRANKSHAFT,ASY			
13		P021-042960	1	CRANKCASE SET			
14	+	100212-42031	2	OILSEAL	ISCD 12*22*4.5		
15	+	900162-05028	3	BOLT, H.S. 5*28	5*28 W,SW		
16	+	100242-42030	1	GASKET, CRANKCASE			
17	+	94035-36201	2	BEARING BALL	6201X3JR2C3		
18	+	100215-03930	2	PIN, DOWEL			
19		V150-002400	1	PLATE,EYE			
20		V805-000120	1	BOLT, TORX 5	TB-5*8 10.9		

2. RECOIL STARTER, MAGNETO



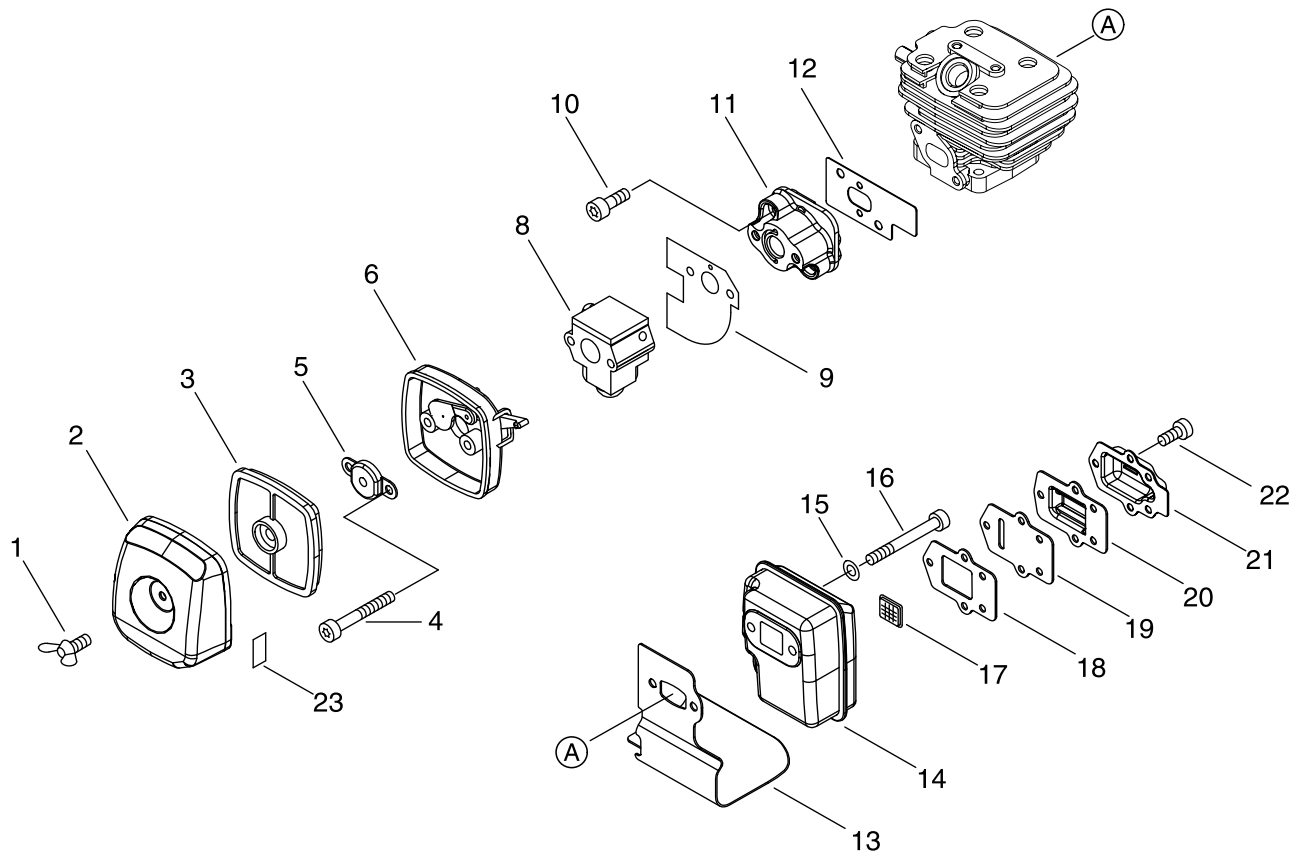
KEY	LV	PART NUMBER	Q'TY	DESCRIPTION	REMARKS	NOTE1	NOTE2
1		V485-001210	1	LEAD	L:210		
2		152115-05530	1	BUSHING			
3		A425-000000	1	SPARKPLUG	BPMR8Y		
4		159011-03432	1	COIL, SPARK PLUG			
5		159012-03433	1	CAP, SPARK PLUG			
6		156110-04920	1	BUSHING			
7		V485-001220	1	LEAD	L:85		
8		A411-000500	1	COIL, IGNITION			
10		V804-000070	2	BOLT, TORX 4	TB-4*20 12.9		
11		900595-00008	1	NUT	8		
12		A052-000280	1	PULLEY,ASM STARTER			
13	+	177234-12220	1	SPRING, PAWL			
14	+	177218-44330	1	PAWL, STARTER	BLACK		
15		A051-000960	1	STARTER,RECOIL ASY			
16	+	177236-44330	1	SCREW			
17	+	177226-44330	1	ROPE, STARTER	3*1,000		
18	+	P022-019690	1	DRUM, STARTER			
19	+	P022-019680	1	SPRING, SPIRAL			
20	+	177227-42030	1	GUIDE, ROPE			
21	+	177228-06530	1	GRIP, STARTER			
22		A409-000210	1	ROTOR,MAGNETO		37001100- 37042266	
22		A409-001250	1	ROTOR, MAGNETO	ID:R10024(C1330)	37042267-	
23		E101-000122	1	HUB,FAN			

2. RECOIL STARTER, MAGNETO



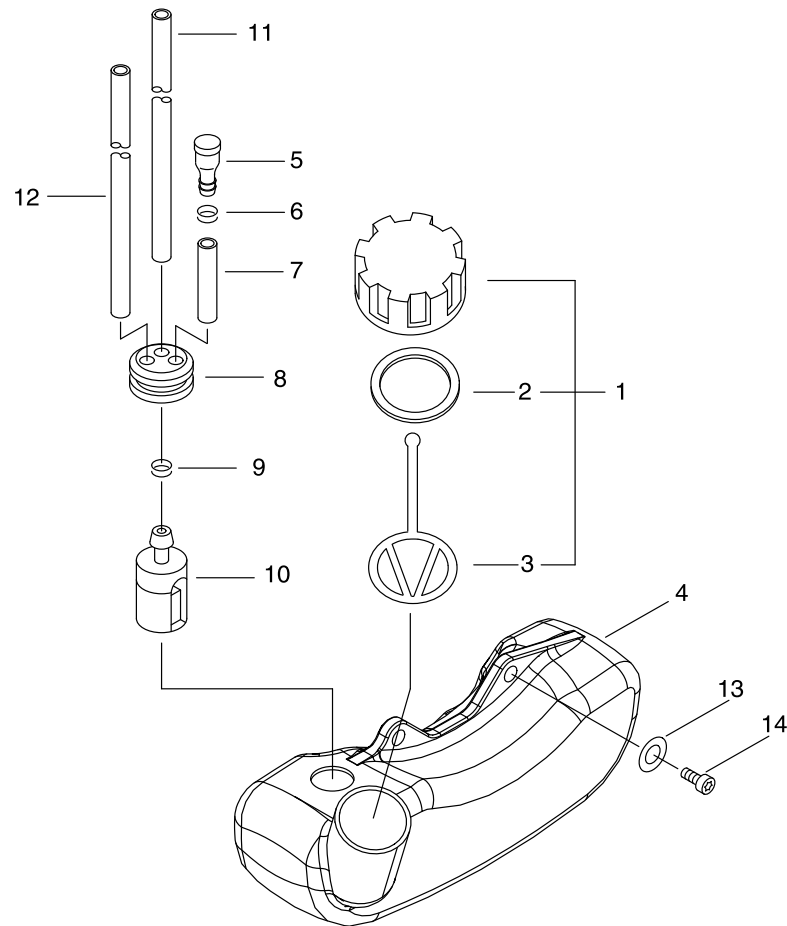
KEY	LV	PART NUMBER	Q'TY	DESCRIPTION	REMARKS	NOTE1	NOTE2
24		V804-000060	4	BOLT, TORX 4	TB-4*16 10.9		
25		X502-000330	1	LABEL,ECHO	ECHO		
26		V152-002220	1	PLATE,ANGLE			
27		V420-000910	1	CUSHION			
30		100142-12330	1	KEY, WOODRUFF		37042267-	

3. AIR CLEANER, CARBURETOR, MUFFLER



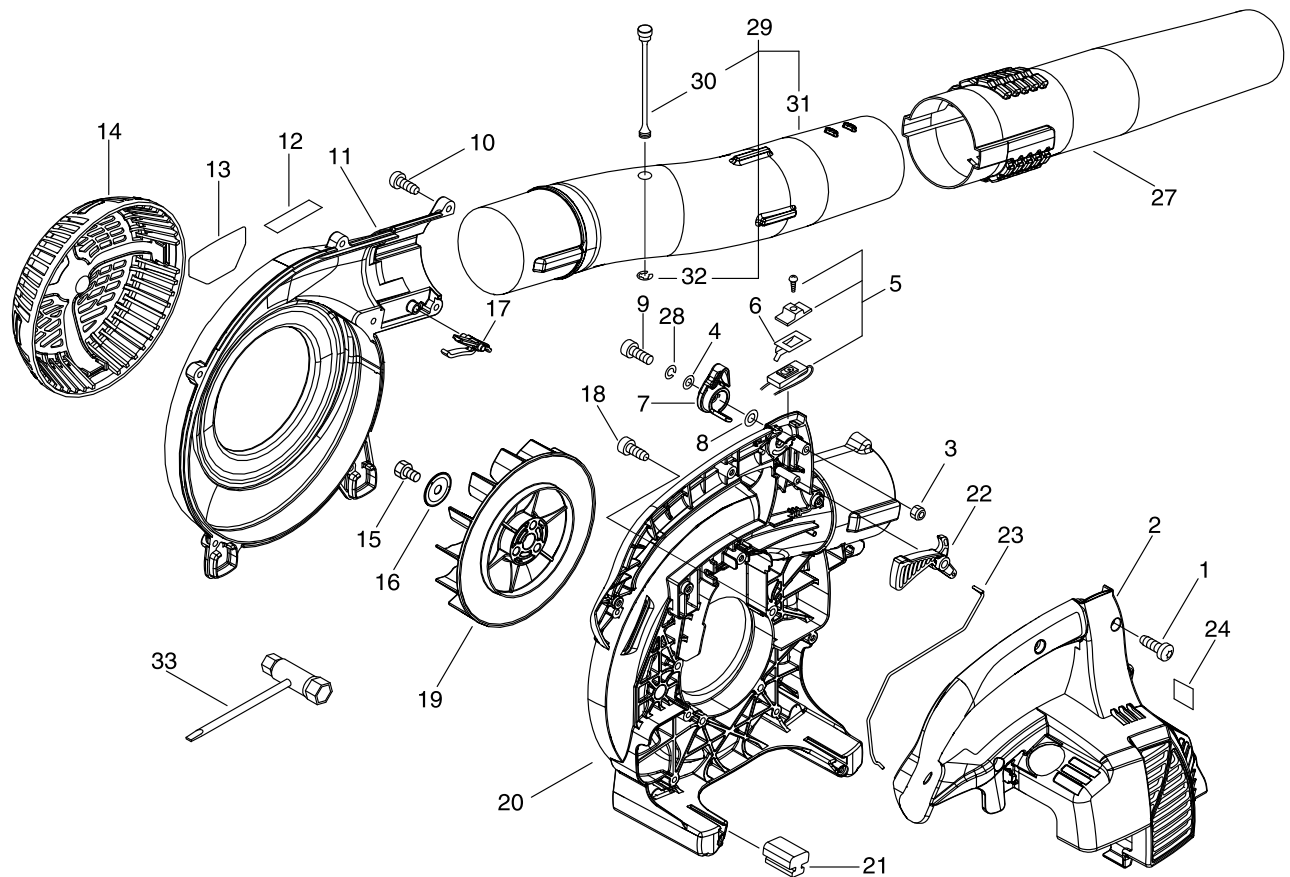
KEY	LV	PART NUMBER	Q'TY	DESCRIPTION	REMARKS	NOTE1	NOTE2
1		210417-52730	1	BOLT, WING	5*20		
2		130313-05863	1	LID, AIR CLEANER			
3		A226-001410	1	ELEMENT, AIR FILTER			
4		V805-000100	2	BOLT, TORX 5	TB-5*65 10.9		
5		129011-52730	1	PLATE, PREVENT			
6		P021-004480	1	CASE, AIR CLEANER			
8		A021-001882	1	CARBURETOR, DIAPHRAGM	WTA-33		
9		V103-000550	1	GASKET, INTAKE			
10		V805-000220	2	BOLT, TORX 5	TB-5*25 12.9		
11		A200-000370	1	INSULATOR, INTAKE			
12		V103-000540	1	GASKET, INTAKE			
13		V104-000960	1	GASKET, EXHAUST			
14		A300-000810	1	MUFFLER, EXHAUST			
15		900603-00005	2	WASHER 5	5.5*12*0.8		
16		V203-000190	2	BOLT, 5	AN A2-70		
17		A310-000070	1	SCREEN, ARRESTOR	22*28*3		
18		V104-000940	1	GASKET, EXHAUST	T:0.5		
19		A313-001070	1	GUIDE, EXHAUST			
20		A313-000840	1	GUIDE, EXHAUST	20.5*3		
21		A313-001091	1	GUIDE, EXHAUST			
22		V804-000080	5	BOLT, TORX 4	TB4*8		
23		890332-52730	1	LABEL, CHOKE			

4. FUEL TANK



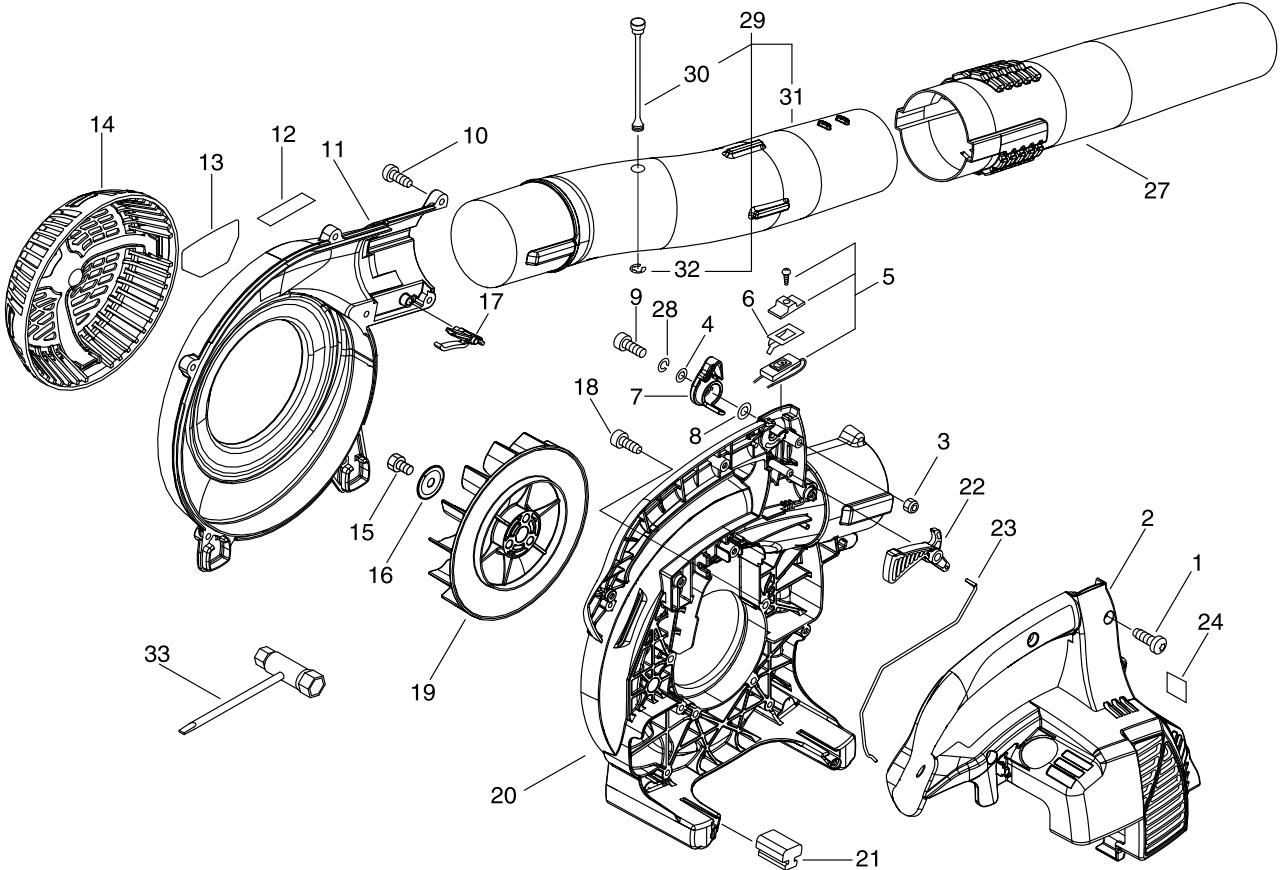
KEY	LV	PART NUMBER	Q'TY	DESCRIPTION	REMARKS	NOTE1	NOTE2
1		131004-55530	1	CAP ASSY, FUEL TANK			
2	+	131016-55830	1	GASKET, FUEL CAP			
3	+	131051-56030	1	CLIP, FUEL CAP	100L		
4		131005-20561	1	TANK, FUEL			
5		A356-000031	1	VALVE,CHECK			
6		132013-09820	1	CLIP	6MM		
7		132012-04631	1	PIPE	3*5*80 NBR		
8		V137-000030	1	GROMMET,FUEL			
9		132013-09820	1	CLIP	6MM		
10		131205-07320	1	STRAINER, FUEL			
11		V471-002170	1	PIPE	3*5*230		
12		132010-49730	1	PIPE 3*6*85	3*6*85	YL	
13		900603-00005	2	WASHER 5	5.5*12*0.8		
14		V805-000150	2	BOLT, TORX 5	TB-5*16 10.9		

5. FAN CASE, BLOWER PIPE



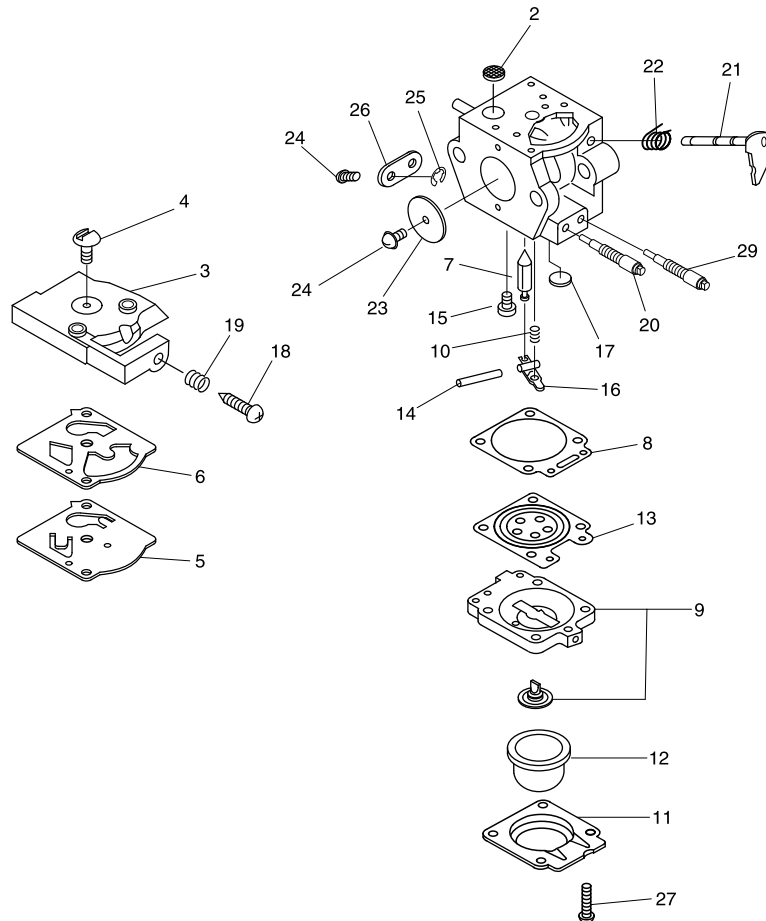
KEY	LV	PART NUMBER	Q'TY	DESCRIPTION	REMARKS	NOTE1	NOTE2
1		V805-000010	6	BOLT, TORX 5	TT-5*20 DG 10.9		
2		P021-042971	1	ENGINE COVER ASY			
3		900562-50005	1	LOCKNUT 5	5		
4		900602-00005	1	WASHER 5	5.3*10*1		
5		A440-001310	1	SWITCH, ON OFF			
6		V486-000150	1	TERMINAL, LEAD			
7		C453-000300	1	LEVER, THROTTLE			
8		900603-00005	1	WASHER 5	5.5*12*0.8		
9		V805-000220	1	BOLT, TORX 5	TB-5*25 12.9		
10		V805-000010	7	BOLT, TORX 5	TT-5*20 DG 10.9		
11		E103-000700	1	CASE, FAN			
12		X505-002080	1	LABEL, CAUTION			
13		X547-001690	1	LABEL, ECHO			
14		E104-000110	1	GRID, BLOWER			
15		900100-08014	1	BOLT 8*14	8*14		
16		100143-19830	1	WASHER	8.2*31*0.8		
17		C662-000040	1	PIECE, LEVER			
18		V804-000070	4	BOLT, TORX 4	TB-4*20 12.9		
19		E100-000070	1	FAN, BLOWER			
20		E103-000691	1	CASE, FAN			
21		351335-20560	2	CUSHION			
22		C450-000411	1	CONTROL, THROTTLE			
23		C454-000190	1	ROD, THROTTLE			

5. FAN CASE, BLOWER PIPE



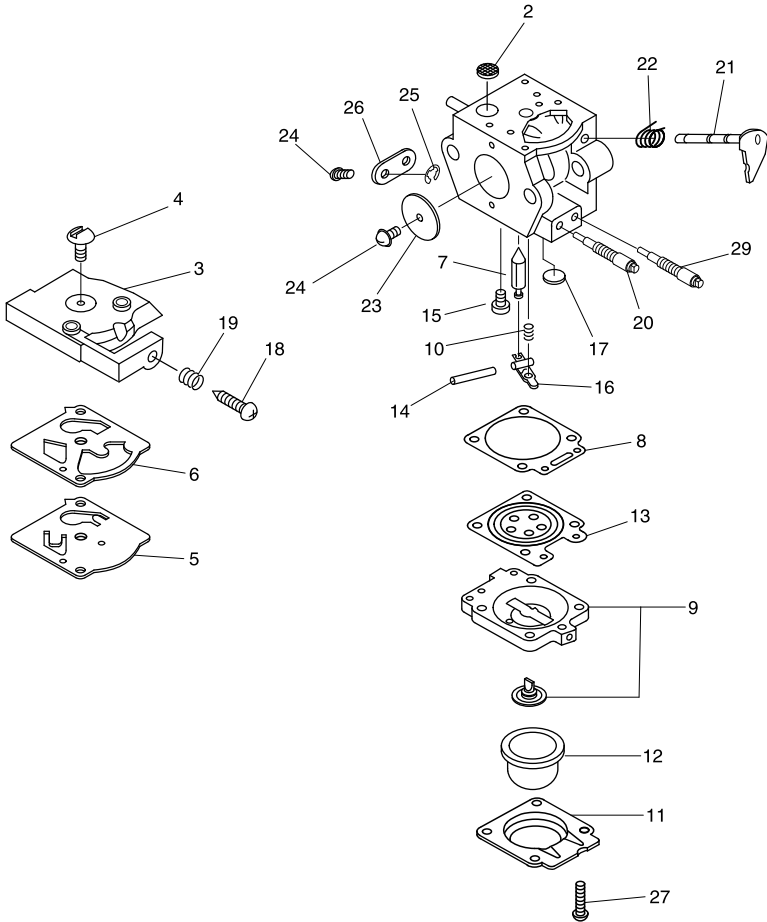
KEY	LV	PART NUMBER	Q'TY	DESCRIPTION	REMARKS	NOTE1	NOTE2
24		X505-002310	1	LABEL,CAUTION	HOT CAUTION		
27		E165-000191	1	PIPE,BLOWER			
28		900605-00005	1	WASHER, SPRING 5	5		
29		E165-000380	1	PIPE,BLOWER			
30	+	E178-000050	1	GUARD,PIPE			
31	+	E165-000390	1	PIPE,BLOWER			
32	+	V583-000080	1	RING	CE-5		
33		895410-06960	1	WRENCH, W/S-DRIVER			

6. CARBURETOR



KEY	LV	PART NUMBER	Q'TY	DESCRIPTION	REMARKS	NOTE1	NOTE2
		A021-001882	1	CARBURETOR,DIAPHRAGM	WTA-33		
2	+	123126-10631	1	SCREEN, INLET			
3	+	P003-004880	1	COVER, FUEL PUMP			
4	+	123110-03930	1	SCREW, PUMP COVER			
5	+	123112-15030	1	DIAPHRAGM, FUEL PUMP			
6	+	123125-15030	1	GASKET, FUEL PUMP			
7	+	123137-19830	1	VALVE, INLET NEEDLE			
8	+	P003-003840	1	GASKET, M. DIAPHRAGM			
9	+	P003-003850	1	BODY, AIR PURGE			
10	+	P003-003860	1	SPRING			
11	+	123142-05560	1	COVER, PRIMER PUMP			
12	+	123181-40630	1	PUMP, PRIMER			
13	+	P003-001850	1	DIAPHRAGM, METERING			
14	+	123138-03930	1	PIN, METERING LEVER			
15	+	123139-03930	1	SCREW, M. LEVER PIN			
16	+	123123-03930	1	LEVER, METERING			
17	+	123146-10631	1	PLUG, WELCH			
18	+	P003-001400	1	SCREW, IDLE ADJUST			
19	+	123133-04260	1	SPRING, IDLE ADJUST			
20	+	P003-004010	1	NEEDLE			
21	+	P003-003880	1	SHAFT ASY, THROTTLE			
22	+	P003-003890	1	SPRING			
23	+	P003-003900	1	VALVE, THROTTLE			
24	+	123114-38830	2	SCREW			
25	+	123127-15030	1	RING			

6. CARBURETOR



KEY	LV	PART NUMBER	Q'TY	DESCRIPTION	REMARKS	NOTE1	NOTE2
26	+	P003-003910	1	THROTTLE, LEVER			
27	+	123144-02960	4	SCREW			
29	+	P003-004020	1	NEEDLE			

Index

Patrs Number	Key No.	Patrs Number	Key No.	Patrs Number	Key No.
100014-11520	1 - 10	900162-05028	1 - 15	P003-003890	6 - 22
100015-04630	1 - 9	900562-50005	5 - 3	P003-003900	6 - 23
100142-12330	2 - 30	900595-00008	2 - 11	P003-003910	6 - 26
100143-19830	5 - 16	900602-00005	5 - 4	P003-004010	6 - 20
100212-42031	1 - 14	900603-00005	3 - 15	P003-004020	6 - 29
100215-03930	1 - 18	900603-00005	4 - 13	P003-004880	6 - 3
100242-42030	1 - 16	900603-00005	5 - 8	P021-004480	3 - 6
123110-03930	6 - 4	900605-00005	5 - 28	P021-017410	1 - 6
123112-15030	6 - 5	94035-36201	1 - 17	P021-042960	1 - 13
123114-38830	6 - 24	A011-000590	1 - 11	P021-042971	5 - 2
123123-03930	6 - 16	A021-001882	3 - 8	P022-019680	2 - 19
123125-15030	6 - 6	A021-001882	6 -	P022-019690	2 - 18
123126-10631	6 - 2	A051-000960	2 - 15	V100-000190	1 - 5
123127-15030	6 - 25	A052-000280	2 - 12	V103-000540	3 - 12
123133-04260	6 - 19	A101-000140	1 - 7	V103-000550	3 - 9
123137-19830	6 - 7	A130-001020	1 - 3	V104-000940	3 - 18
123138-03930	6 - 14	A160-001260	1 - 2	V104-000960	3 - 13
123139-03930	6 - 15	A200-000370	3 - 11	V137-000030	4 - 8
123142-05560	6 - 11	A226-001410	3 - 3	V150-002400	1 - 19
123144-02960	6 - 27	A300-000810	3 - 14	V152-002220	2 - 26
123146-10631	6 - 17	A310-000070	3 - 17	V203-000190	3 - 16
123181-40630	6 - 12	A313-000840	3 - 20	V420-000910	2 - 27
129011-52730	3 - 5	A313-001070	3 - 19	V471-002170	4 - 11
130313-05863	3 - 2	A313-001091	3 - 21	V485-001210	2 - 1
131004-55530	4 - 1	A356-000031	4 - 5	V485-001220	2 - 7
131005-20561	4 - 4	A409-000210	2 - 22	V486-000150	5 - 6
131016-55830	4 - 2	A409-001250	2 - 22	V583-000080	5 - 32
131051-56030	4 - 3	A411-000500	2 - 8	V606-000000	1 - 8
131205-07320	4 - 10	A425-000000	2 - 3	V804-000060	2 - 24
132010-49730	4 - 12	A440-001310	5 - 5	V804-000070	2 - 10
132012-04631	4 - 7	C450-000411	5 - 22	V804-000070	5 - 18
132013-09820	4 - 6	C453-000300	5 - 7	V804-000080	3 - 22
132013-09820	4 - 9	C454-000190	5 - 23	V805-000010	5 - 1
152115-05530	2 - 2	C662-000040	5 - 17	V805-000010	5 - 10
156110-04920	2 - 6	E100-000070	5 - 19	V805-000100	3 - 4
159011-03432	2 - 4	E101-000122	2 - 23	V805-000120	1 - 1
159012-03433	2 - 5	E103-000691	5 - 20	V805-000120	1 - 20
177218-44330	2 - 14	E103-000700	5 - 11	V805-000150	4 - 14
177226-44330	2 - 17	E104-000110	5 - 14	V805-000220	3 - 10
177227-42030	2 - 20	E165-000191	5 - 27	V805-000220	5 - 9
177228-06530	2 - 21	E165-000380	5 - 29	X502-000330	2 - 25
177234-12220	2 - 13	E165-000390	5 - 31	X505-002080	5 - 12
177236-44330	2 - 16	E178-000050	5 - 30	X505-002310	5 - 24
210417-52730	3 - 1	P003-001400	6 - 18	X547-001690	5 - 13
351335-20560	5 - 21	P003-001850	6 - 13		
890332-52730	3 - 23	P003-003840	6 - 8		
895410-06960	5 - 33	P003-003850	6 - 9		
900100-08014	5 - 15	P003-003860	6 - 10		
900162-05025	1 - 4	P003-003880	6 - 21		

YAMABIKO CORPORATION

7-2 SUEHIROCHO 1-CHOME, OHME, TOKYO 198-8760, JAPAN
PHONE: 81-428-32-6118. FAX: 81-428-32-6145.



12Jc
No. 67-067