



www.bearcatproducts.com

STUMP GRINDER

SG340 - 340cc HONDA

PARTS MANUAL



PN: 12398
Rev 010113
Companion to 12399
SN Range: D00001 - Current

Before You Begin

DEAR ECHO BEAR CAT CUSTOMER

Thank you for purchasing a ECHO Bear Cat product. The ECHO Bear Cat line is designed, tested, and manufactured to give years of dependable performance. To keep your machine operating at peak efficiency, it is necessary to adjust it correctly and make regular inspections. The following pages will assist you in the operation and maintenance of your machine. Please read and understand this manual before operating your machine.

If you have any questions or comments about this manual, please call us toll-free at 1-800-247-7335.

If you have any questions or problems with your machine, please call or write your local authorized ECHO Bear Cat Dealer.

This document is based on information available at the time of its publication. ECHO Bear Cat is continually making improvements and developing new equipment. In doing so, we reserve the right to make changes or add improvements to our product without obligation for equipment previously sold.

PLEASE SEND US YOUR WARRANTY CARD

A warranty card is included in your owner's kit packaged with your machine. Please take the time to fill in the information requested on the card. When you send your completed card to us, we will register your machine and start your coverage under our limited warranty.

FOR MACHINE SERVICE OR PARTS:

For service assistance, contact your nearest authorized ECHO Bear Cat dealer or the factory. For parts, contact your authorized dealer. The parts manual for your machine is available at <http://bearcatproducts.com/main/support/index.html>. Your dealer will need to know the serial number of your machine to provide the most efficient service. See below for information on how to identify and record the serial number for your machine.

FOR ENGINE SERVICE OR PARTS:

For engine service or parts, contact your nearest authorized engine dealer. ECHO Bear Cat does not handle any parts, repairs or warranties for engines.

ORDERING PARTS

Only genuine ECHO Bear Cat replacement parts should be used to repair the machine. Replacement parts manufactured by others could present safety hazards, even though they may fit on this machine. Replacement parts are available from your ECHO Bear Cat dealer.

Provide the following when ordering parts:

The SERIAL NUMBER of your machine.

The PART NUMBER of the part.

The PART DESCRIPTION.

The QUANTITY needed.

SERIAL NUMBER LOCATION

Please record the serial number in the space provided and on the warranty and registration card.

MANUFACTURED BY CRARY INDUSTRIES
WEST FARGO, NORTH DAKOTA 58078 U.S.A.
SERIAL NUMBER
MANUFACTURED IN U.S.A.

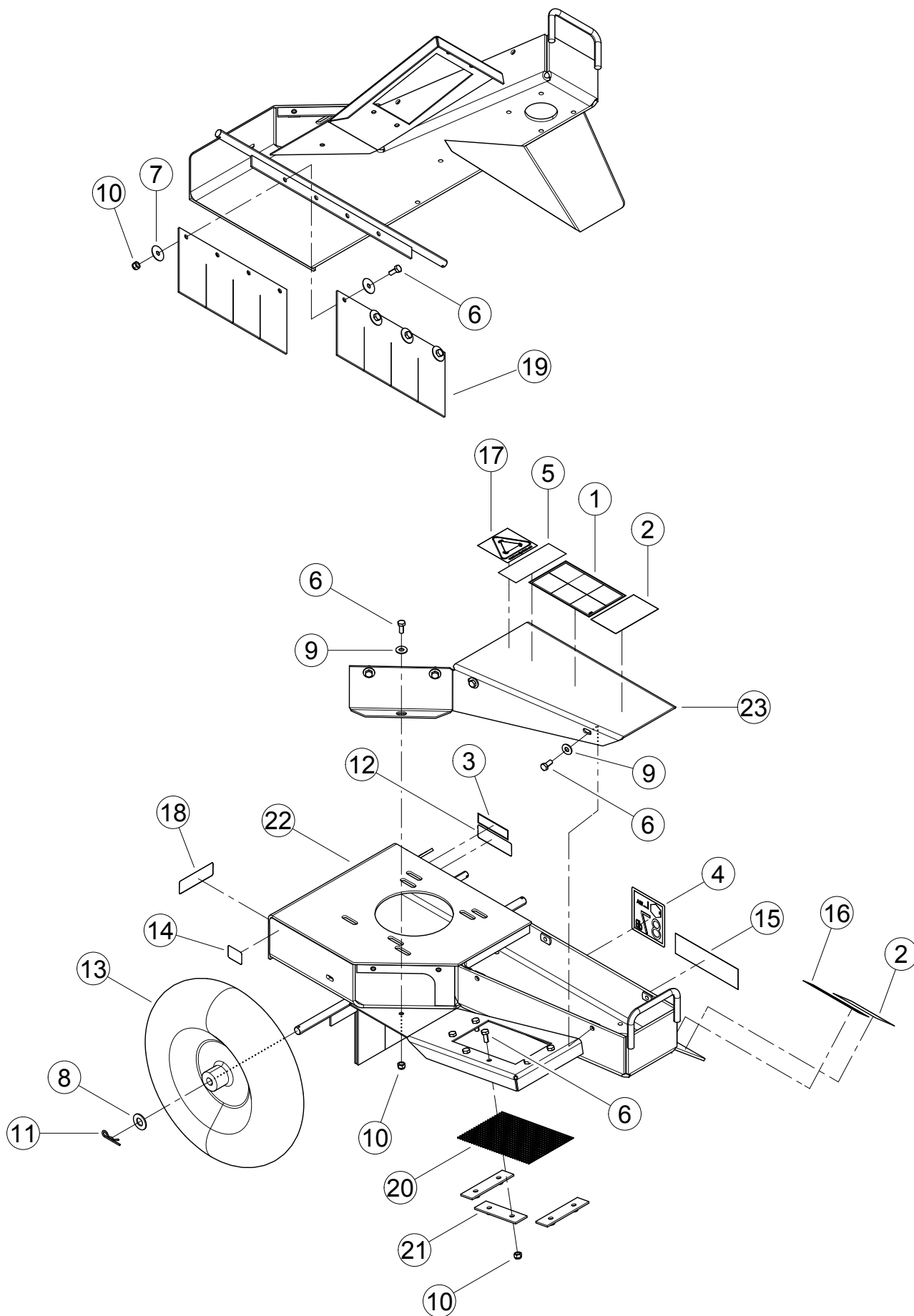
SERIAL NUMBER

HOW TO CONTACT ECHO BEAR CAT

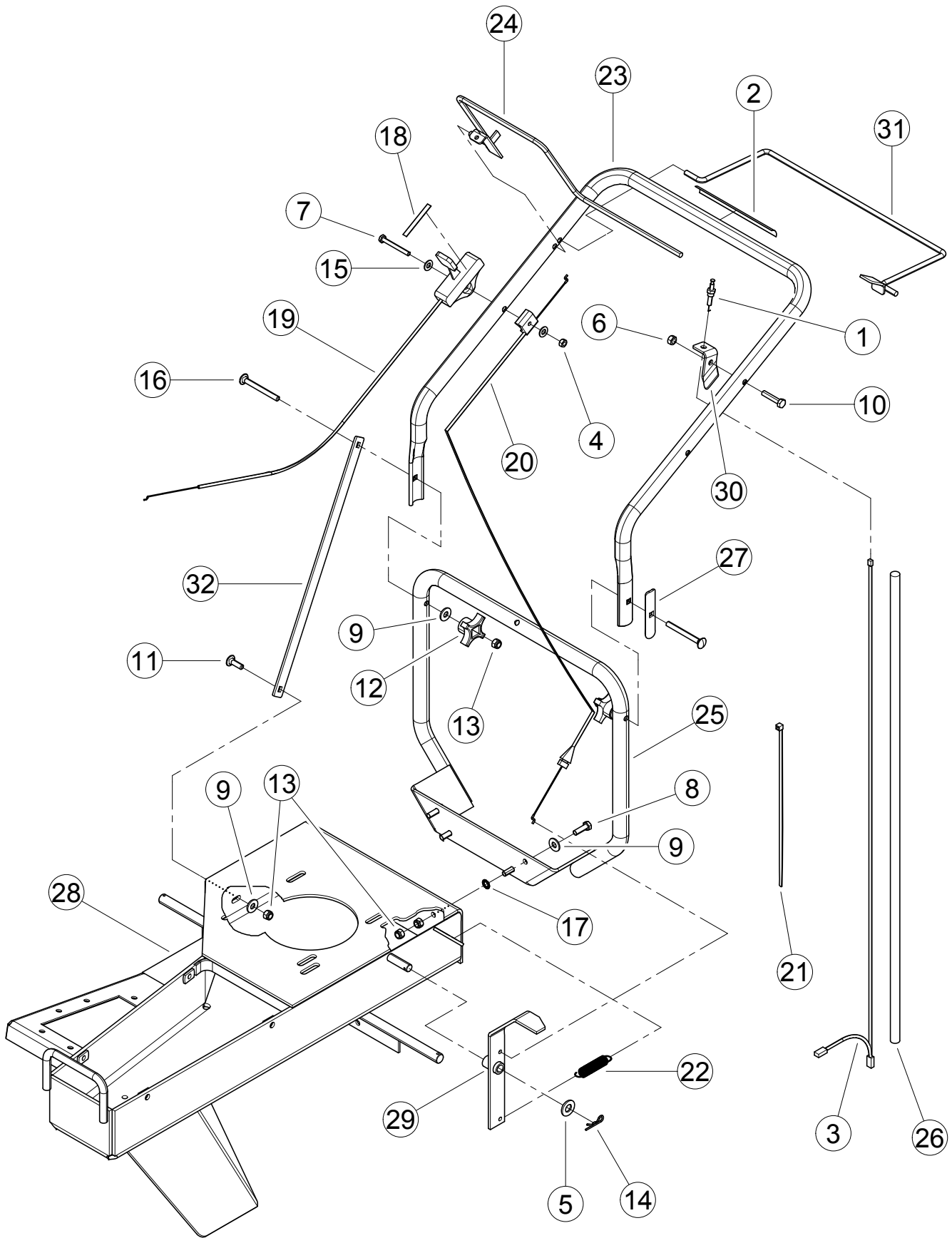
ADDRESS	PHONE	E-MAIL	HOURS
237 NW 12th Street P.O. Box 849 West Fargo, ND 58078	800.247.7335 701.282.5520 FAX: 701.282.9522	sales@bearcatproducts.com service@bearcatproducts.com	Monday - Friday, 8 am to 5 pm Central Time

TABLE OF CONTENTS

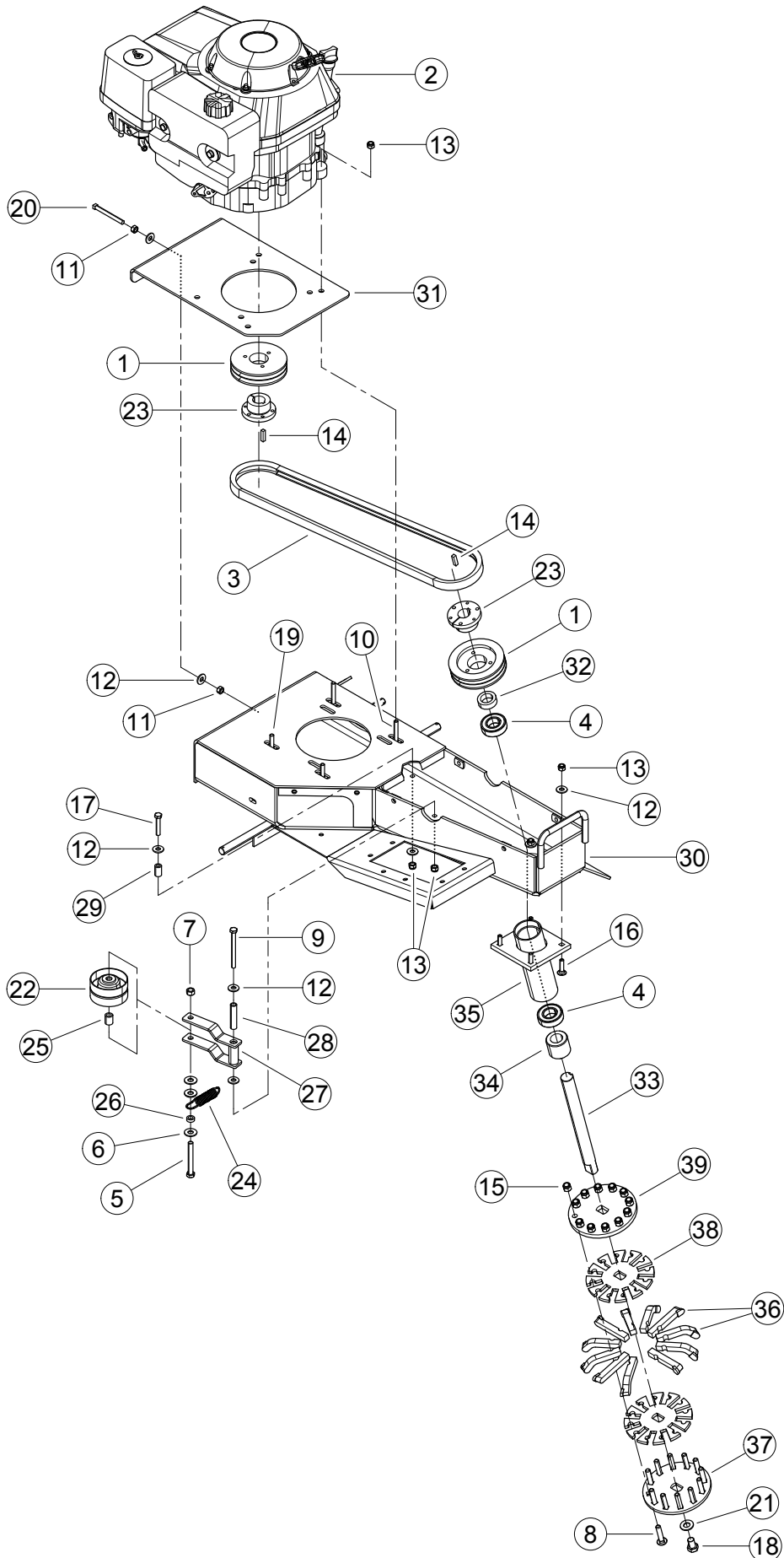
DESCRIPTION	PAGE
BODY	2
HANDLEBAR.....	4
DRIVE & CUTTER	6
SERVICE PARTS & ACCESSORIES	8



ITEM	PART NUMBER	DESCRIPTION
1	12172	DECAL, OPERATING INSTRUCTIONS ISO
2	12254	DECAL, GRINDER DANGER
3	12533	DECAL, STUMPGRINDER INFO
4	14180-00	DECAL, 87 DB
5	14942-00	DECAL, MULTILINGUAL MANUAL
6	15003	BOLT, 5/16 X 3/4 HEX HD GR5 ZP
7	15040	WASHER, 5/16 FENDER ZP
8	15129	WASHER, 5/8 SAE FLAT ZP
9	15250	WASHER, 5/16 FLAT ZP
10	15356	NUT, 5/16 NE NYLOCK ZP
11	15368	HAIRPIN CLIP ZP #203
12	16155	DECAL, SERIAL NUMBER
13	16678	TIRE, 480/400 X 8 WHEELBARROW
14	16753	DECAL, CE APPROVAL
15	17913	DECAL, ECHO BEARCAT 6.82 X 1.90
16	18944-00	DECAL, MODEL SG340
17	31511-00	DECAL, SMALL RECLAIM IT
18	31890-00	DECAL, ATLANTIC BRIDGE LTD INFO
19	71420	MUD FLAP, STUMP GRINDER
20	71437	DEBRIS SCREEN, STUMP GRINDER
21	71438	SCREEN CLAMP, STUMP GRINDER
22	72798-35	WELDMENT, STUMP GRINDER FRAME
23	72803-35	COVER, TOP STUMP GRINDER



ITEM	PART NUMBER	DESCRIPTION
1	12014	SWITCH, ENGINE KILL
2	12017	DECAL, STUMPGRINDER CONTROL
3	14947-00	WIRE ASSY, ENGINE KILL
4	15087	NUT, 1/4 CENTERLOCK NC ZP
5	15097	WASHER, 1/2 SAE FLAT ZP
6	15178	NUT, 5/16 CENTERLOCK NC ZP
7	15197	BOLT, 1/4 X 2-1/4 HCS GR5 ZP
8	15219	BOLT, 5/16 X 1 HHCS GR5 NC ZP
9	15250	WASHER, 5/16 FLAT ZP
10	15282	BOLT, 5/16 X 1-1/2 HEX HD GR5 ZP
11	15301	BOLT, 5/16 X 1 CRG GR5 ZP
12	15321	KNOB, SPOUT 5/16-18
13	15356	NUT, 5/16 NE NYLOCK ZP
14	15368	HAIRPIN CLIP ZP #203
15	15416	WASHER, 5/16 SAE FLAT ZP
16	15438	BOLT, 5/16 X 3 CRG GR5 NC ZP
17	15712-00	WASHER, 5/16 EXTERNAL TOOTH ZP
18	16238	DECAL, THROTTLE
19	16239	THROTTLE CONTROL
20	16694	CABLE, STUMP GRINDER
21	17320	STRAP, 11 IN. BLACK TIE
22	17520	SPRING, LT EXT .555OD X 2.75LG
23	71207	UPPER HANDLE BAR
24	71402	TOP BALE WELDMENT
25	71692	WELDMENT, HANDLEBAR
26	71708	CONDUIT, 1/4 X 47 WIRE
27	72684-12	BRACE, HANDLEBAR
28	72798-35	WELDMENT, STUMPGRINDER FRAME
29	72812-12	WELDMENT, WHEEL BRAKE
30	72820-12	STRIP, SWITCH MOUNT
31	72821-12	WELDMENT, BOTTOM BALE
32	72823-12	STRIP, HANDLEBAR SUPPORT



ITEM	PART NUMBER	DESCRIPTION
1	12363	SHEAVE, 3V4.5-2 GROOVE SH
2		ENGINE, 11 HP HONDA GXV (FOR SERVICE SEE OWNER'S MANUAL OR YOUR NEAREST AUTHORIZED HONDA ENGINE DEALER)
3	12365	BELT, 3VX530 DOUBLE BANDED
4	12370	BEARING, 1 IN. BALL
5	15009	BOLT, 3/8 X 3 HEX HD GR5 ZP
6	15031	WASHER, 3/8 FLAT ZP
7	15047	NUT, 3/8 CENTERLOCK ZP
8	15059	BOLT, 3/8 X 1-3/4 CRG GR5 ZP
9	15124	BOLT, 5/16 X 3-1/2 HEX HD ZP
10	15140	BOLT, 5/16 X 2 HCS GR5 ZP
11	15153	NUT, 5/16 HEX NC ZP
12	15250	WASHER, 5/16 FLAT ZP
13	15356	NUT, 5/16 NE NYLOCK ZP
14	15365	KEY, 1/4 SQUARE X 1 LONG
15	15388	NUT, 3/8 NE NYLOCK ZP
16	15398	BOLT, 5/16 X 1-1/4 CRG GR5 ZP
17	15403	BOLT, 5/16-18 X 1-3/4 HCS GR5 ZP
18	15413	BOLT, 1/2-20 X 3/4 HEX HD GR5 NF ZP
19	15496	BOLT, 5/16 X 1-1/4 HCS NF GR5 ZP
20	15588	SCREW, 5/16 X 3 SQ HD SET
21	15762-00	WASHER, 1/2 HI-STRENGTH SAE ZP
22	16319	PULLEY, 3-1/4 FLAT IDLER
23	16517	BUSHING, SH 1"
24	17692	SPRING, 3/4"OD EXTENSION
25	62531	TUBE, SPACER 3/4" LONG IDLER
26	69239	SPACER IDLER PIVOT
27	70287	WELDMENT, 2 BELT IDLER
28	70357	PIVOT TUBE
29	70495	SPACER, .54 X .88
30	72798-35	WELDMENT, STUMPGRINDER FRAME
31	72802-35	PLATE, ENGINE SLIDE
32	72819	SPACER, 1-1/2 X 1/2
33	76253-00	SPINDLE, CUTTER SG 12 BLADE
34	76254-00	TUBE, SPACER 1-3/4 X 1.520
35	76257-12	WELDMENT, SPINDLE HUB
36		STUMP GRINDER, TEETH (FOR SERVICE ORDER REPLACEMENT KIT PN 76292-00)
	76292-00	KIT, 12 BLADE CUTTER REPLACEMENT
37	76898-12	PLATE, COVER STUMPGRINDER HEAD
38	76899-00	PLATE, SPACER STUMPGRINDER HEAD
39	76900-12	PLATE, DISK STUMPGRINDER HEAD

PART NUMBER	DESCRIPTION
76292-00	12 BLADE TOOTH REPLACEMENT KIT
31605-00	TACH/HOUR METER KIT



12 BLADE TOOTH REPLACEMENT KIT, 76292-00



TACH/HOUR METER, 31605-00



ECHO BEAR CAT

www.bearcatproducts.com

237 NW 12th Street, West Fargo, ND 58078-0849

Phone: 701.282.5520 • Toll Free: 800.247.7335 • Fax: 701.282.9522

E-mail: service@bearcatproducts.com • sales@bearcatproducts.com